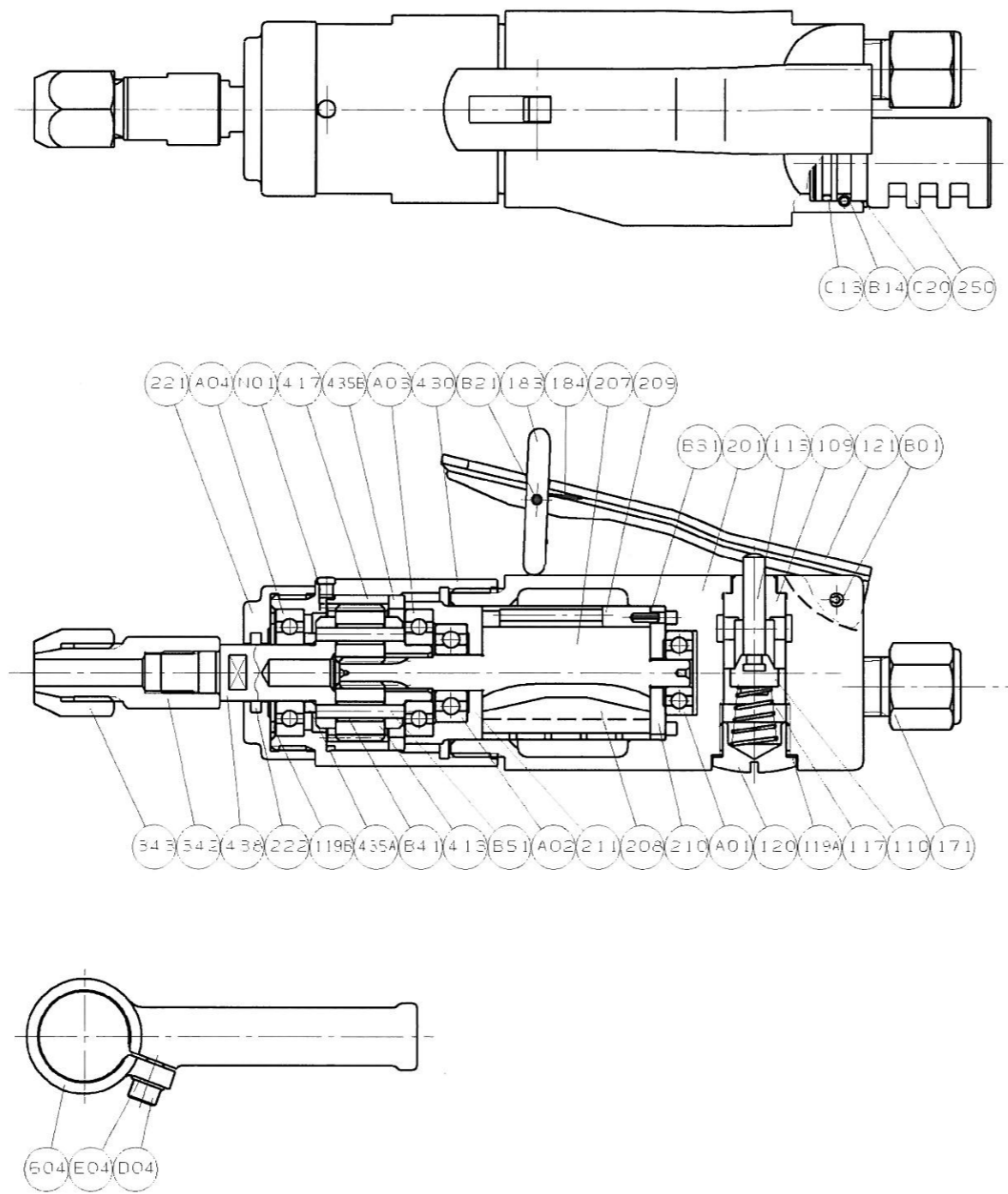


# TYPE STANDARD



DRAW. NO.	PARTS NO.	NAME OF PART	QTY.
109	G-028109-00	THROTTLE VALVE PUSHING	1
110	H-001110-02	THROTTLE VALVE ROD	1
113	G-028113-00	THROTTLE VALVE SPRING	1
117	D-001117-00	THROTTLE VALVE COVER PACKING	1
119A	G-028119-00	THROTTLE VALVE COVER PACKING	1
119E	G-011119-00	THROTTLE VALVE COVER	1
120	G-028120-00	THROTTLE VALVE LEVER	1
121	G-201121-00	INLET JOINT(PT)	1
171	IB-202001	LOCK KEY	1
183	G-144183-02	LOCK SPRING	1
184	G-144184-00	HOUSING	1
201	G-201201-02	ROTOR	1
207	D-173207-00	ROTOR BLADE	4
208	W-100208-00	CYLINDER	1
209	D-001209-00	CYLINDER UPPER PLATE	1
210	D-002210-02	CYLINDER LOWER PLATE	1
211	D-001211-00	SPINDLE BEARING COVER	1
221	D-014221-00	FELT RING	1
222	D-014222-00	EXHAUST COVER	1
250	G-201250-00	COLLET	1
342	G-011342-00	COLLET NUT	1
343	G-162343-00	No. 1 PLANET GEAR	2
413	G-201413-00	No. 1 INTERNAL GEAR	1
417	G-201417-00	No. 1 GEAR CASE	1
430	G-201430-00	THRUST WASHER	1
435A	D-001435-00	THRUST WASHER	1
435B	G-201435-00	SPINDLE	1
438	G-201438-01	DEAD HANDLE	1
604	G-201604-01	BALL BEARING	1
A01	BB-626	BALL BEARING	1
A02	BB-608	BALL BEARING	1
A03	BB-EE4	BALL BEARING	1
A04	BB-EE4	BALL BEARING	1
E01	SP-325	SPRING PIN	1
B14	SP-2.520	SPRING PIN	1
B21	SP-218	SPRING PIN	1
B31	SP-26	SPRING PIN	1
B41	NR-110.5	NEEDLE ROLLER	24
B51	NR-319.8	NEEDLE ROLLER	2
C13	O-S14	*O* RING	1
D04	CS-825	CAP SCREW	1
E04	SW-8	SPRING WASHER	1
NO1	GN-BIN#D26D	GREASE NIPPLE	1

## SPECIFICATIONS

Model	Type	Capacity (Grinding Wheel) mm	Rotational Frequency (At No Load) min <sup>-1</sup>	Spindle Thread	Overall Length mm	Mass kg	Air Consumption At Max. Out Put m <sup>3</sup> /min	Air Inlet Thread	Air Hose Size mm
FG-2VX-50	PT	-	3000	-	224	1.0	0.34	PT 1/4	9.5

APPROVED BY	SHIMIZU	STRAIGHT GRINDER			
CHECKED BY	K. NISHIDA	TYPE	FG-2VX-50		
DESIGNED BY	TAKAGI	DRAWING NO.	G-201-A70-01		
DRAWN BY	TAKAGI	SCALE	1:1	DATE	2004.07

FUJI AIR TOOLS CO., LTD.