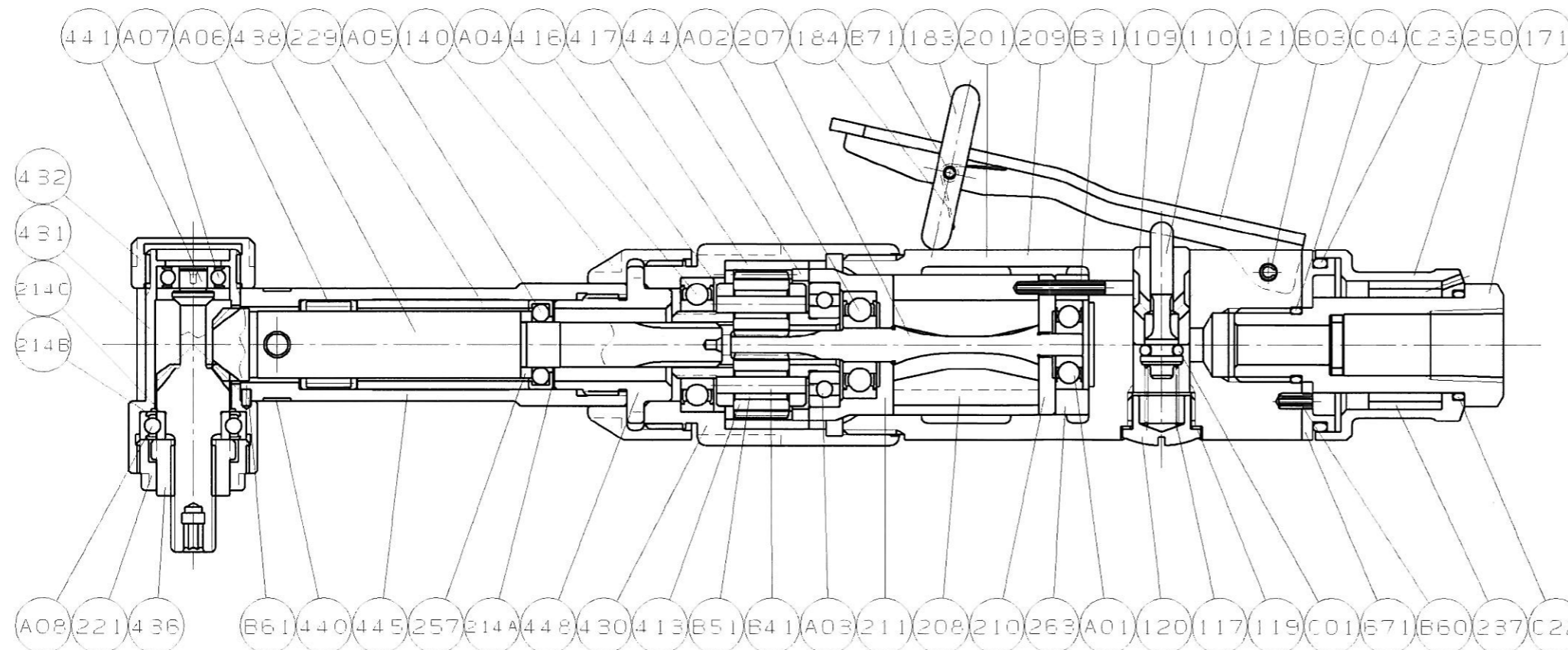


TYPE STANDARD

DRAW NO	PARTS NO.	NAME OF PART	QTY
B41	NR-315.8	NEEDLE ROLLER	2
B51	NR-19.5	NEEDLE ROLLER	24
B60	SP-2.56	SPRING PIN	1
B61	NR-1.53	NEEDLE ROLLER	1
B71	SP-218	SPRING PIN	1
C01	O-P3	"O" RING	1
C04	O-S10	"O" RING	1
C22	O-S16	"O" RING	1
C23	O-S28	"O" RING	1

DRAW NO	PARTS NO.	NAME OF PART	QTY
444	D-021444-00	INTERNAL GEAR WASHER	1
445	A-179445-00	SPINDLE CASE	1
448	D-132448-00	SPINDLE CASE FLANGE	1
B71	W-118671-00	EXHAUST COVER JOINT	1
A01	BB-634	BALL BEARING	1
A02	BB-626	BALL BEARING	1
A03	BB-EE3	BALL BEARING	1
A04	BB-6901	BALL BEARING	1
A05	BB-C1680	BALL BEARING	1
A06	NB-HK1210	NEEDLE BEARING	1
A07	BB-695	BALL BEARING	1
A08	BB-6800	BALL BEARING	1
B03	SP-325	SPRING PIN	1
B31	SP-216	SPRING PIN	1

DRAW NO	PARTS NO.	NAME OF PART	QTY
109	W-118109-00	THROTTLE VALVE BUSHING	1
110	D-021110-A	THROTTLE VALVE	1
117	D-021117-00	THROTTLE VALVE SPRING	1
119	D-021119-00	THROTTLE VALVE COVER PACKING	1
120	D-021120-00	THROTTLE VALVE COVER	1
121	A-179121-00	THROTTLE VALVE LEVER	1
140	D-132140-00	CUP NUT	1
171	W-100171-00	INLET JOINT	1
183	A-179183-00	LOCK KEY	1
184	G-144184-00	LOCK SPRING	1
201	A-179201-00	HOUSING	1
207	D-021207-00	ROTOR	1
208	D-021208-00	ROTOR BLADE	4
209	D-021209-00	CYLINDER	1
210	D-021210-00	CYLINDER UPPER PLATE	1
211	D-021211-00	CYLINDER LOWER PLATE	1
214A	D-132214-00	ADJUSTING WASHER (SHIM)	1
214B	D-132214-01	ADJUSTING WASHER (SHIM)	1
214C	D-132214-02	ADJUSTING WASHER (SHIM)	1
221	A-179221-00	SPINDLE BEARING COVER	1
229	D-140229-00	BEARING SPACER	1
250	W-106250-00	EXHAUST COVER	1
237	W-302237-00	MUFFLER PAD	1
257	D-140257-00	WASHER	1
263	W-118263-00	BEARING CASE (B)	1
413	D-021413-00	No. 1 PLANET GEAR	2
416	D-140416-00	No. 1 PLANET GEAR FRAME	1
417	D-058417-00	No. 1 INTERNAL GEAR	1
430	D-140430-00	No. 1 GEAR CASE	1
431	A-179431-00	No. 2 GEAR CASE	1
432	A-179432-00	GEAR CASE COVER	1
436	A-179436-00	BEARING HOLDER	1
438	D-140438-00	SPINDLE	1
440	D-140440-00	RING	1
441	A-179441-00	SPINDLE (B)	1



SPECIFICATIONS

Model	Type	Rotational Frequency (At no Load)	Distance Center To Side	Spindle Thread	Max. Air Consumption	Mass	Overall Length	Air Inlet Thread	Air Hose Size
		min ⁻¹	mm		m ³ /min				kg
FAS-1X-50F	STANDARD	2000	11.5	M8	0.3	0.9	245.5	PT1/4	6

APPROVED BY	SHIMIZU	ANGLE SANDER			
CHECKED BY	NISHIDA	TYPE	FAS-1X-50F		
DESIGNED BY	NISHIDA	DRAWING NO.	A-179-A52-00		
DRAWN BY	YASUBA	SCALE	1:1	DATE	2006.10

ST06-085

YASUBA

FUJI AIR TOOLS CO., LTD.